



### High-frequency transformer

### EE28 Series

#### Parameters/Dimensions:

##### EE28 Type 1

Information:

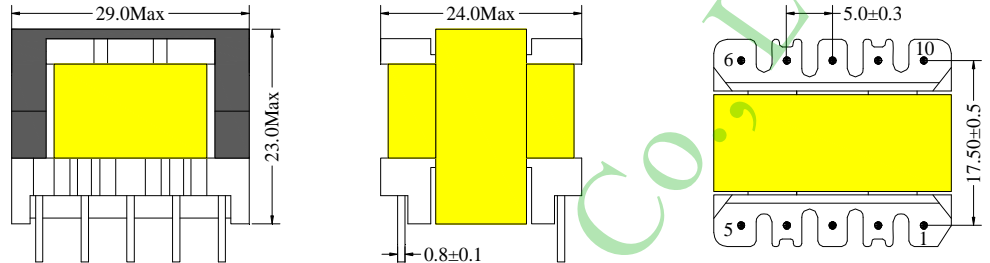
Shape:EE28

1.Power:60W

2 Mounting Orientation: Vertical

3 Size: 29 (W) \*24 (L) \* 23 (H)

4 Effective Ae (mm<sup>2</sup>): 82.90



##### EE28 Type 2

Information:

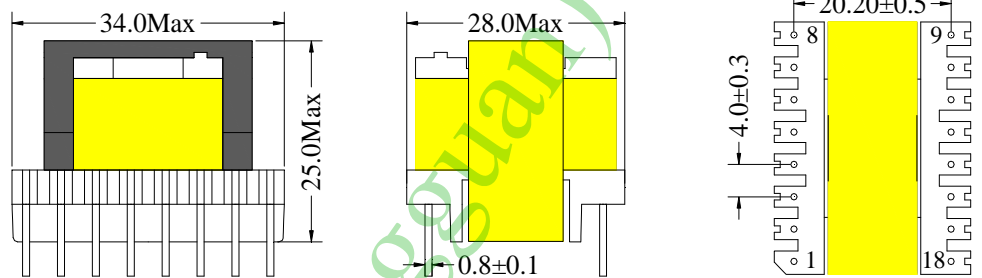
Shape:EE28

1.Power:60W

2 Mounting Orientation: Vertical

3 Size: 34 (W) \* 284 (L) \* 25 (H)

4 Effective Ae (mm<sup>2</sup>): 82.90



##### EE28 Type 3

Information:

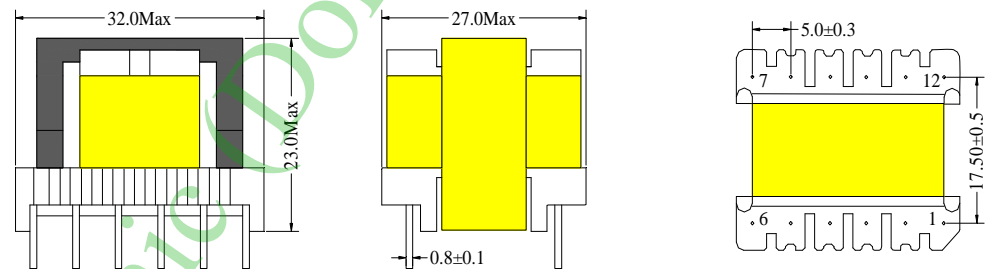
Shape:EE28

1.Power:60W

2 Mounting Orientation: Vertical

3 Size: 15 (W) \* 14 (L) \* 14 (H)

4 Effective Ae (mm<sup>2</sup>): 82.90



##### EE28 Type 4

Information:

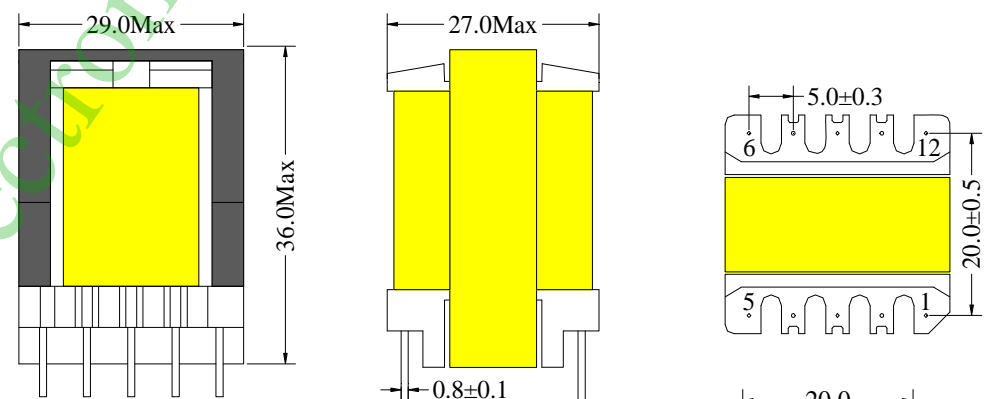
Shape:EE28

1.Power:60W

2 Mounting Orientation: Vertical

3 Size: 15 (W) \* 14 (L) \* 14 (H)

4 Effective Ae (mm<sup>2</sup>): 82.90



##### EE28 Type 5

Information:

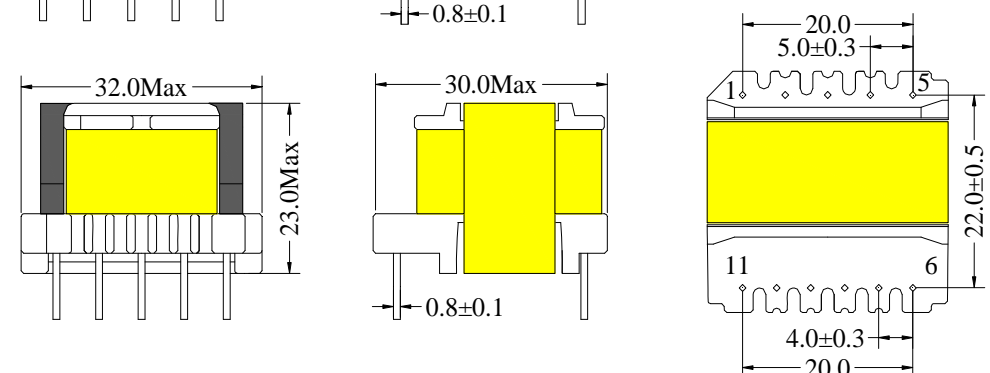
Shape:EE28

1.Power:60W

2 Mounting Orientation: Vertical

3 Size:32 (W) \*30 (L) \*23 (H)

4 Effective Ae (mm<sup>2</sup>): 82.90





### High-frequency transformer

#### EE28 Series

#### Parameters/Dimensions:

##### EE28 Type 6

Information:

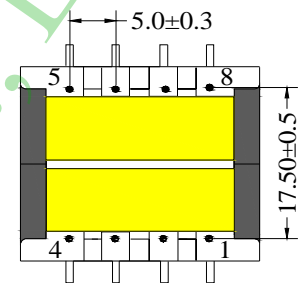
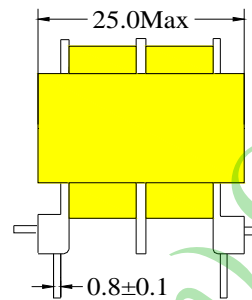
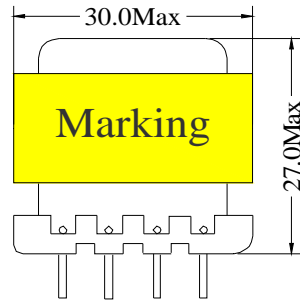
Shape:EE28

1.Power:60W

2 Mounting Orientation:Horizonta

3 Size: 30 (W) \* 25 (L) \* 27 (H)

4 Effective Ae (mm2): 82.90



##### EE28 Type 7

Information:

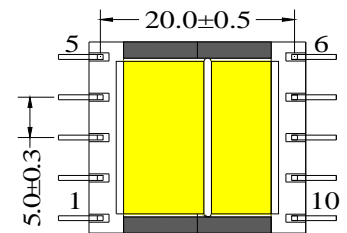
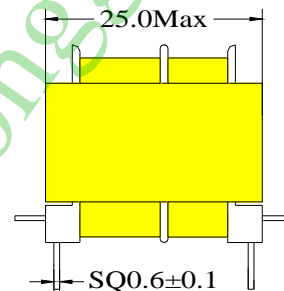
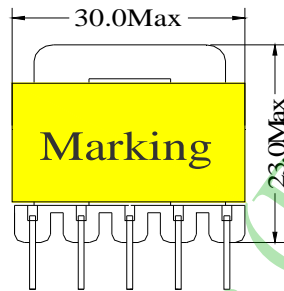
Shape:EE28

1.Power:60W

2 Mounting Orientation:Horizonta

3 Size: 30 (W) \* 25 (L) \* 23 (H)

4 Effective Ae (mm2): 82.90



#### Note:

Bobbin type listed in the traditional style, transformer design parameters to customer needs or to inject prevail.

#### EE series high-frequency transformer features:

Lead space, easy winding wire. Applicable to a wide range of high frequency, wide operating voltage range, output power, good thermal stability

#### Uses:

Program-controlled switches are widely used in power supplies, LCD power supply, UPS power inverter power supply, computer power, energy-saving lamps and other fields.